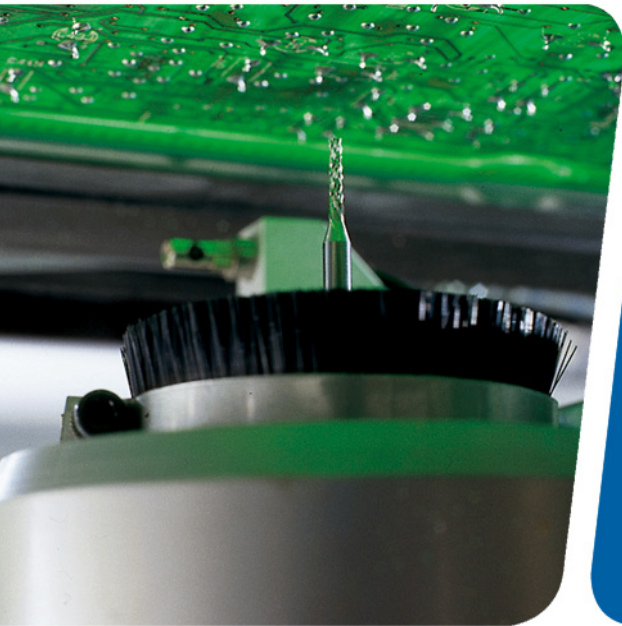


Cencorp 1000 VR



Router for high volume and low mix

The PCB depaneling phase should never be a bottleneck in your production, not in terms of quality, cycle time, change-over time or maintenance. Therefore the right choice for high volume depaneling is the Cencorp 1000 Volume Router (VR). Cencorp 1000 VR concept provides the best reliable handling for high volume production with intelligent PCB handling and powerful robots. Over 15 years of experience in depaneling has been built into this brilliant solution.

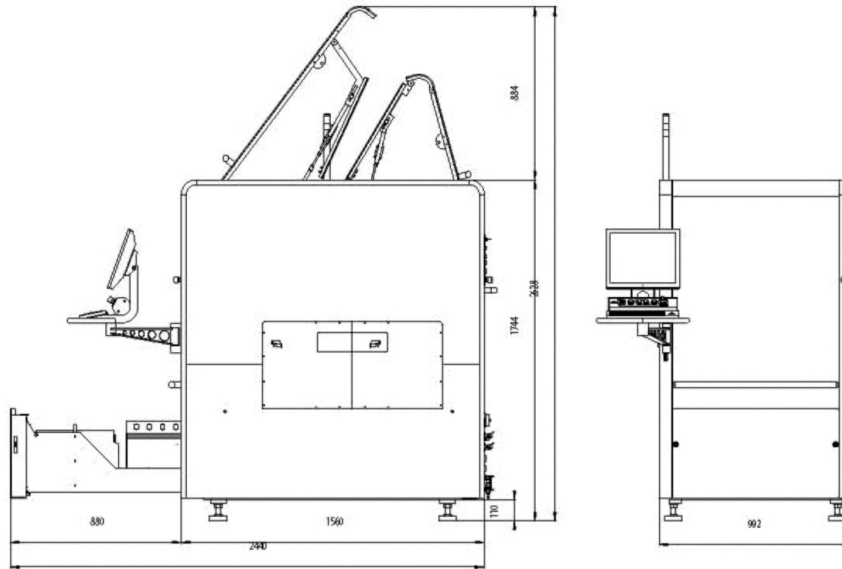
Cencorp depaneling provides precise, stress free breakout and safe board handling without compromising the rigidity and strength of the panels.

Also, dust handling capability was developed on a new level of router equipment. Furthermore, Cencorp solutions can also easily handle irregular shaped boards, which are popular in modern portable equipment.

Customer specific parts rapidly

Typical delivery time for customer specific parts is less than 10 days. The machine is equipped with changeable multi-gripper. We have over 20 years experience in depaneling of customer's processes.

Technical data 1000 VR



Pick & Place Gantry

X-travel: Manually adjustable
Y-travel (AC-servo): 725mm
Repeatability (y): ± 0.03 mm [3 s]
Z-travel (pneumatic): 75 mm
W-travel: Manually adjustable

Router Router Gantry

X-travel (AC-servo): 450 mm
Y-travel (AC-servo): 415 mm
Z-travel (AC-servo): 100 mm
Repeatability: ± 0.03 mm [3 s]
Routing speed: Up to 75mm/s
Slew speed: Up to 1500mm/s

Spindle

Model: Kavo 4041
Power: 500W
Max Speed: Up to 50k rpm
Cooling: Air
Bit Change: Manual
Broken bit detection: Automatic
Tool Shank: 3.175mm (1/8")
Bearing: 3-times, Ceramic

PCB Gripper System

Multihead gripper: Pneumatic
Quick change system: Manual

Board Handling (panel)

Min. PCB size: 50 x 50 mm
Max. PCB size: 305 x 305 mm
Max thickness: 3mm
Transfer protocol: SMEMA /WMW
Transfer height: 900 \pm 25 mm
Conveyor speed: Up to 16m/min
Product Flow :left-to-right or right-to-left

External Vacuum System

Nilsfisk GB 726: Optional
DustAway: Optional
Others: Optional

Control system

Motion Engineering XMP
Operating system Windows XP
Cencorp Control Software
USB port
TFT Touch screen

Software Features

Camera aided teaching system
Event log
Tool Life tracking
Vacuum bag life tracking
Multi-level password protection

Machine Dimensions

Width: 992mm
Depth: 1560mm
Height: 1744mm
Weight: 1700kg

Electrical Service Requirements

Voltage: EU (USA) 400 (208) VAC 10%
Frequency: EU (USA) 50 (60) Hz
Branch circuit size: 16 A
Average power cons.: 2 kVA

Pneumatics Service

Pressure: 5-7 bar
Dry clean air: $\pm 10\%$
Approx. air consumption: 100 l/min

Environmental Requirements

Operating temperature: 10 ... 40°C
Operating humidity (RH): 30% ... 85%

Additional SW features

Barcode support 1D or 2D: Optional
Offline Programming: Optional
Fiducial Correction: Optional
(Fiducial Reg.time: < 1 s)